

VERMAS Verified Gross Mass Message

Introduction:

VERMAS can be used by different parties at different times in a transport chain. It is not dedicated to a particular process step.

For example, in relation to a supply chain including the transport of a packed container on an ocean vessel, the Verified gross mass message (VERMAS) permits to submit the verified gross mass of the packed container and supporting information as legally required by the SOLAS Convention Chapter VI, Part A, Regulation 2.

Notes:

This Message Implementation Guideline (MIG) has been developed by JUL Project Team, in the context of the JUL Portuguese Project (www.projeto-jul.pt).

In this context, the following items are considered. The document provides the definition of the Verified Gross Mass message to be used in electronic data interchange between port terminals, cargo operators or their representatives, shippers, carriers, or any interested party requiring this information or with the responsibility to provide it when transport equipment movements in Portuguese ports are to take place.

Due to the existence of current implementations of this message in some Portuguese ports, the document signals where backward compatibility is relevant. However, new or updated implementations must follow this MIG and shall ignore these specific exceptions.

This MIG provides guidance as to the recommended usage of codes, qualifiers, data elements, composites, segments and groups of segments in the D.16A VERMAS. The intention is to assist developers to ensure consistent use of the VERMAS message throughout the worldwide trade and transport community.

The MIG was elaborated considering the following references:

- UN/EDIFACT D.16A VERMAS
- UN/EDIFACT D.16A Data Element Codes
- ISO 6346, 2nd and 3rd editions, and amendments – Freight containers – Coding, identification and marking
- UN/ECE Recommendation 7 – Numerical Representation of Dates, Time, and Periods of Time
- UN/ECE Recommendation 16 (3rd edition) – UN/LOCODE – Codes for Ports and Other Locations
- UN/ECE Recommendation 19 (2nd edition) – Codes for Modes of Transport
- UN/ECE Recommendation 20 – Codes for Units of Measure Used in International Trade
- ITIGG: General Recommendations Version 2.1 March 2001
- SMDG MIG VERMAS Version 1.0

Being based on SMDG MIG does not mean a full adoption of SMDG proposals. In some situations, groups, segments, elements or codes are not applicable. In other situations, groups, segments, elements or codes are included but notes are present to inform the purpose of SMDG proposal compatibility.

Notes on this matter will be in font Courier New 8pt Bold.

Usage indicators in this MIG follow ITIGG Recommendation D4/G44.

Status Indicators (“M” and “C”) form part of the UN/EDIFACT standard and indicate a minimum requirement to fulfil the needs of the message structure. They are not adequate for implementation purposes. The Status Indicators are:

Value Description

M Mandatory

The entity marked as such must appear in all messages, and apply to these messages as well as to any associated implementation guidelines (and consequently is also a Usage Indicator).

C Conditional

The entity is used by agreement between trading partners.

Usage Indicators are implementation related indicators that further detail the use of “Conditional” Status Indicators. Usage Indicators are applied at all levels of the guidelines and shown adjacent to data items such as segment groups, segments, composite data elements and simple data elements. They dictate the agreed usage of the data items or entities. The Usage Indicators are:

Value Description

M Mandatory

Indicates the item is mandatory in the UN/EDIFACT message.

R Required

Indicates the item must be transmitted in this implementation.

D Dependent

Indicates that the use of the item is depending on a well-defined condition or set of conditions. These conditions must be clearly specified in the relevant implementation guideline.

O Optional

Indicates that this item is at the need or discretion of both trading partners.

X Not Used

Indicates that this item is not to be used in this implementation.

Where an item within a segment group, segment or composite data element is marked with Usage Indicators “M” or “R”, but the segment group, segment or composite data element has been marked “O” or “D” (or for that matter “X”), the item is only to be transmitted when the segment group, segment or composite of which it is a part, is used.

Examples in the text are just related with the segments where they appear. They are not necessarily related between each other.

*** Special Note On Local Usage

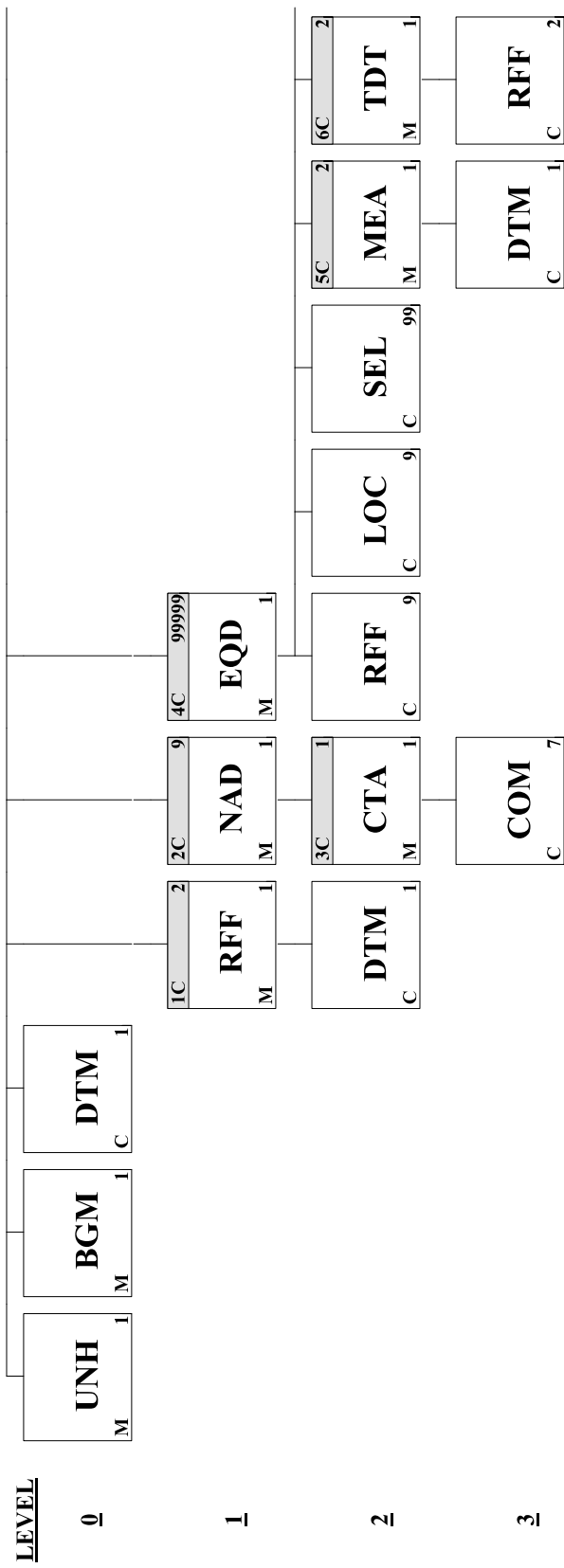
Due to the diverse realities of the Portuguese ports and the stakeholders operating in them, it is necessary to

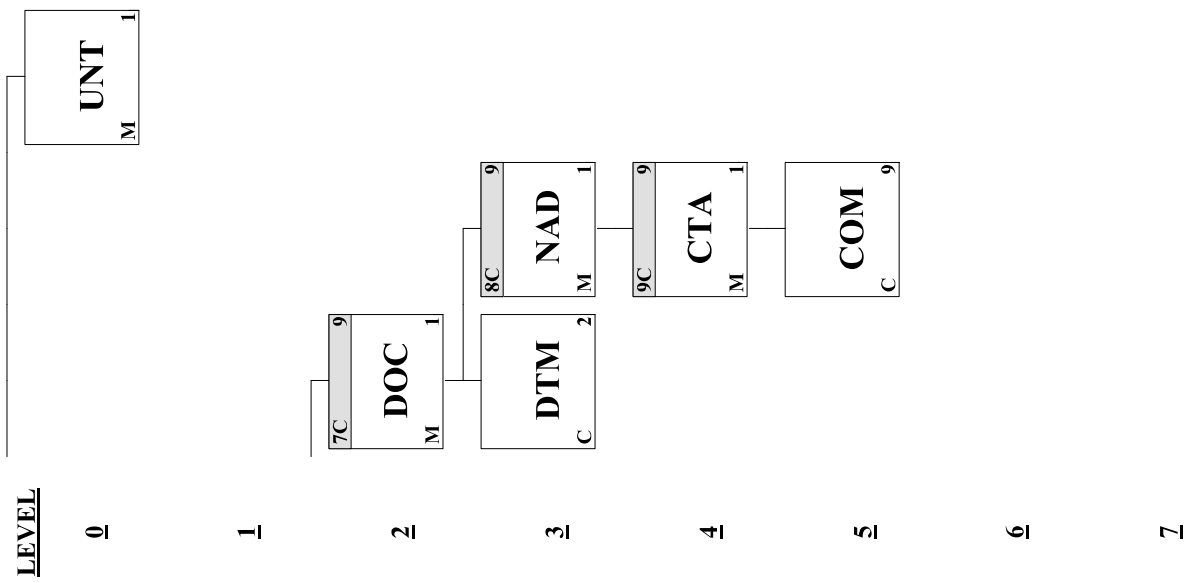
define local rules, codes, etc. But this needs to be done considering the harmonization framework that this document defines.

In order to avoid a heavy guideline where all local port specifics are expressed, the approach is to redirect the reader to an external document when applicable. The external document should be elaborated by the each port when justified.

However all stakeholders should have the following in mind. The local specifications are complementary to this document, they are used to document current implementations, and should not be a justification for new or updated implementations avoid the full adoption of this document.

<u>Page No.</u>	<u>Pos. No.</u>	<u>Seg. ID</u>	<u>Name</u>	<u>Base Guide</u>	<u>User Status</u>	<u>Max.Use</u>	<u>Group Repeat</u>	<u>Notes and Comments</u>
6	00010	UNH	Message Header	M	M	1		
8	00020	BGM	Beginning of Message	M	M	1		
10	00030	DTM	Date/Time/Period	C	O	1		
	00040		Segment Group 1: RFF-DTM	C	O		2	
12	00050	RFF	Reference	M	M	1		
13	00060	DTM	Date/Time/Period	C	O	1		
	00070		Segment Group 2: NAD-SG3	C	O		9	
15	00080	NAD	Name and Address	M	M	1		
	00090		Segment Group 3: CTA-COM	C	O		1	
19	00100	CTA	Contact Information	M	M	1		
20	00110	COM	Communication Contact	C	O	7		
	00120		Segment Group 4: EQD-RFF-LOC-SEL-SG5-SG6-SG7	C	R		99999	
22	00130	EQD	Equipment Details	M	M	1		
25	00140	RFF	Reference	C	O	9		
26	00150	LOC	Place/Location Identification	C	O	9		
28	00160	SEL	Seal Number	C	D	99		
	00170		Segment Group 5: MEA-DTM	C	R		2	
31	00180	MEA	Measurements	M	M	1		
33	00190	DTM	Date/Time/Period	C	O	1		
	00200		Segment Group 6: TDT-RFF	C	O		2	
35	00210	TDT	Transport Information	M	M	1		
38	00220	RFF	Reference	C	O	2		
	00230		Segment Group 7: DOC-DTM-SG8	C	R		9	
40	00240	DOC	Document/Message Details	M	M	1		
43	00250	DTM	Date/Time/Period	C	O	2		
	00260		Segment Group 8: NAD-SG9	C	O		9	
45	00270	NAD	Name and Address	M	M	1		
	00280		Segment Group 9: CTA-COM	C	O		9	
50	00290	CTA	Contact Information	M	M	1		
51	00300	COM	Communication Contact	C	O	9		
52	00310	UNT	Message Trailer	M	M	1		





Segment: **UNH** Message Header
Position: 00010
Group:
Level: 0
Usage: Mandatory
Max Use: 1
Purpose: A service segment starting and uniquely identifying a message. The message type code for the Verified gross mass message is VERMAS.
 Note: Verified gross mass messages conforming to this document must contain the following data in segment UNH, composite S009:
 Data element 0065 VERMAS 0052 D 0054 16A 0051
 UN

Dependency Notes:**Semantic Notes:****Comments:**

Notes: Example: Message envelope number "1357924680", type "VERMAS", UN/Edifact directory "D16A"

UNH+1357924680+VERMAS:D:16A:UN'

Data Element Summary

<u>Data Element</u>	<u>Component Element</u>	<u>Name</u>	<u>Base Attributes</u>		<u>User Attributes</u>
0062		MESSAGE REFERENCE NUMBER	M	1 an..14	M
		Unique message reference assigned by the sender.			
S009		MESSAGE IDENTIFIER	M	1	M
		Identification of the type, version etc. of the message being interchanged.			
	0065	Message type identifier	M	an..6	M
		Code identifying a type of message and assigned by its controlling agency.			
		VERMAS Verified gross mass message			
	0052	Message type version number	M	an..3	M
		Version number of a message type.			
		D Draft version/UN/EDIFACT Directory			
	0054	Message type release number	M	an..3	M
		Release number within the current message type version number (0052).			
		16A Release 2016 - A			
	0051	Controlling agency	M	an..2	M
		Code identifying the agency controlling the specification, maintenance and publication of the message type.			
		UN UN/CEFACT			
	0057	Association assigned code	C	an..6	O
		Code, assigned by the association responsible for the design and maintenance of the message type concerned, which further identifies the message.			
		Only for compatibility with SMDG proposal. It will not be processed			

by JUL system.

0068	COMMON ACCESS REFERENCE	C	1	an..35	X
S010	STATUS OF THE TRANSFER	C	1		X
	Statement that the message is one in a sequence of transfers relating to the same topic.				
0070	Sequence message transfer number	M		n..2	X
	Number assigned by the sender indicating that the message is an addition or change of a previously sent message relating to the same topic.				
0073	First/last sequence message transfer indication	C		a1	X
	Indication used for the first and last message in a sequence of the same type of message relating to the same topic.				

Segment: **BGM** Beginning of Message
Position: 00020
Group:
Level: 0
Usage: Mandatory
Max Use: 1
Purpose: A segment to indicate the type and function of the message and to transmit the identifying number.

Dependency Notes:**Semantic Notes:****Comments:**

Notes: Example: Transport equipment gross mass verification report message WR556545, original.

BGM+749+WR556545+9'

Data Element Summary

<u>Data Element</u>	<u>Component Element</u>	<u>Name</u>	<u>Base Attributes</u>		<u>User Attributes</u>
C002		DOCUMENT/MESSAGE NAME	C	1	R
		Identification of a type of document/message by code or name. Code preferred.			
	1001	Document name code	C	an..3	R
		Code specifying the document name.			
		749 Transport equipment gross mass verification message			
	1131	Code list identification code	C	an..17	X
	3055	Code list responsible agency code	C	an..3	X
	1000	Document name	C	an..35	O
		Name of a document.			
		Only for compatibility with SMDG proposal. It will not be processed by JUL system.			
C106		DOCUMENT/MESSAGE IDENTIFICATION	C	1	R
		Identification of a document/message by its number and eventually its version or revision.			
	1004	Document identifier	C	an..70	R
		To identify a document.			
	1056	Version identifier	C	an..9	X
	1060	Revision identifier	C	an..6	X
1225		MESSAGE FUNCTION CODE	C	1 an..3	R
		Code indicating the function of the message.			
		1 Cancellation			
		5 Replace			
		9 Original			
4343		RESPONSE TYPE CODE	C	1 an..3	X

1373	DOCUMENT STATUS CODE	C	1	an..3	O
	Code specifying the status of a document.				
	Only for compatibility with SMDG proposal. It will not be processed by JUL system.				
	Refer to D.16A Data Element Dictionary for acceptable code values.				
3453	LANGUAGE NAME CODE	C	1	an..3	X

Segment: **DTM** Date/Time/Period
Position: 00030
Group:
Level: 0
Usage: Conditional (Optional)
Max Use: 1
Purpose: A segment to indicate dates and times for the entire message including the date and time of the preparation of the message.

Dependency Notes:**Semantic Notes:****Comments:**

Notes: Usage complemented in local document if mentioned in that document.

The usage of this segment is to provide the date/time at which the sender creates the message. In this case DE:2005 will be '137'.

Example: Message issued on 2002/02/01 at 14:21

DTM+137:200202011421:203'

Data Element Summary

<u>Data Element</u>	<u>Component Element</u>	<u>Name</u>	<u>Base Attributes</u>		<u>User Attributes</u>
C507		DATE/TIME/PERIOD	M	1	M
		Date and/or time, or period relevant to the specified date/time/period type.			
	2005	Date or time or period function code qualifier	M	an..3	M
		Code qualifying the function of a date, time or period.			
		137 Document issue date time			
	2380	Date or time or period text	C	an..35	R
		The value of a date, a date and time, a time or of a period in a specified representation.			
	2379	Date or time or period format code	C	an..3	R
		Code specifying the representation of a date, time or period.			
		203 CCYYMMDDHHMM			
		303 CCYYMMDDHHMMZZZ			

Group: **RFF** Segment Group 1: Reference
Position: 00040
Group:
Level: 1
Usage: Conditional (Optional)
Max Use: 2
Purpose: A group of segments to specify references relating to the message and related dates and times.
Notes: Usage complemented in local document if mentioned in that document.

Additionally to the definition, this group has the following interpretation.

When the message is "Original" (BGM:1225 = '9') then this reference is understood as being the identification of the document, considering that this identification is based on the reference value itself, in RFF:1154, and the reference qualifier in RFF:1153. However the qualifier 'ACW' does not apply to this case.

When the message is not "Original" (BGM:1225 <> '9'), it means it is referring to a previous sent document. The identification (as explained above) of the document can be sent, but the reference to the previous message of this document must also be present. That means an occurrence of the group with RFF:1153 = 'ACW' must be in the message, having the value in RFF:1154, the same value present in BGM:1004 of the most recent previous message, and the date/time in DTM, the same sent in the previous message.

Segment Summary

	Pos.	Seg.		Req.	Max.	Group:
	<u>No.</u>	<u>ID</u>	<u>Name</u>	<u>Des.</u>	<u>Use</u>	<u>Repeat</u>
M	00050	RFF	Reference	M	1	
O	00060	DTM	Date/Time/Period	C	1	

Segment: **RFF** Reference
Position: 00050 (Trigger Segment)
Group: Segment Group 1 (Reference) Conditional (Optional)
Level: 1
Usage: Mandatory
Max Use: 1
Purpose: A segment to identify a reference which applies to the entire message, e.g. the reference to a previous message.

Dependency Notes:**Semantic Notes:****Comments:**

Notes: Usage complemented in local document if mentioned in that document.

To identify the reference as a previous message, the reference code qualifier should be 'ACW'. All other qualifers are used to identify the document.

Example: Shipper's reference number 2004/002546-1.

RFF+SI:2004/002546-1'

Example: Reference to a previous messages identified by WR50938803.

RFF+ACW:WR50938803'

Data Element Summary

Data Element	Component Element	Name	Base Attributes		User Attributes
C506		REFERENCE	M	1	M
		Identification of a reference.			
	1153	Reference code qualifier	M	an..3	M
		Code qualifying a reference.			
		AAS			Transport contract document identifier
		ABE			Declarant's reference number
		ACW			Reference number to previous message
					If BGM:1225 <> '9'.
		AFB			Cargo manifest number
		AGO			Sender's reference to the original message
		SI			SID (Shipper's identifying number for shipment)
	1154	Reference identifier	C	an..70	R
		Identifies a reference.			
	1156	Document line identifier	C	an..6	X
	1056	Version identifier	C	an..9	X
	1060	Revision identifier	C	an..6	X

Segment: **DTM** Date/Time/Period
Position: 00060
Group: Segment Group 1 (Reference) Conditional (Optional)
Level: 2
Usage: Conditional (Optional)
Max Use: 1
Purpose: A segment to indicate dates and times relating to the reference.

Dependency Notes:**Semantic Notes:****Comments:**

Notes: Usage complemented in local document if mentioned in that document.

The complete meaning of this date depends of the type of reference in the previous RFF segment, stated in RFF:C506:1153 data element.

Example: Date/time of the reference: "2003/10/08 - 10:15"

DTM+171:200310081015:203'

Data Element Summary

<u>Data Element</u>	<u>Component Element</u>	<u>Name</u>	<u>Base Attributes</u>		<u>User Attributes</u>
C507		DATE/TIME/PERIOD	M	1	M
		Date and/or time, or period relevant to the specified date/time/period type.			
	2005	Date or time or period function code qualifier	M	an..3	M
		Code qualifying the function of a date, time or period.			
		171 Reference date/time			
	2380	Date or time or period text	C	an..35	R
		The value of a date, a date and time, a time or of a period in a specified representation.			
	2379	Date or time or period format code	C	an..3	R
		Code specifying the representation of a date, time or period.			
		203 CCYYMMDDHHMM			
		303 CCYYMMDDHHMMZZZ			

Group: **NAD** Segment Group 2: Name and Address
Position: 00070
Group:
Level: 1
Usage: Conditional (Optional)
Max Use: 9
Purpose: A group of segments to identify a party for the entire message including the message sender and related contacts.
Notes: Usage complemented in local document if mentioned in that document.

This group is to identify the entities related with the whole document.

However, SMDG proposes to use this group at this level to provide the identification of entities related with the message transmission, having the role specified in NAD:3035.

In the JUL context this proposal is adopted but a message sender and a message receiver must always be specified. In practical terms, it means at least two occurrences of SG2 must be present in the message, one with qualifier 'MS' and other with qualifier 'MR' in NAD:3035 should be 'MR'.

Any other qualifiers will be understood as complementary information. The same entity can be specified more than once as long it is associated with different roles (qualifiers).

Segment Summary

	Pos.	Seg.		Req.	Max.	Group:
	<u>No.</u>	<u>ID</u>	<u>Name</u>	<u>Des.</u>	<u>Use</u>	<u>Repeat</u>
M	00080	NAD	Name and Address	M	1	
	00090		Segment Group 3: Contact Information	C		1

Segment: **NAD** Name and Address
Position: 00080 (Trigger Segment)
Group: Segment Group 2 (Name and Address) Conditional (Optional)
Level: 1
Usage: Mandatory
Max Use: 1
Purpose: A segment to specify the name/address of the party and to identify the party role.

Dependency Notes:**Semantic Notes:****Comments:**

Notes: Usage complemented in local document if mentioned in that document.

The entities are to be identified by their EORI. In Portugal the EORI id is composed by PT+[VAT number].

Example: Message sender identified by PT541495122.

NAD+MS+PT541495122'

Data Element Summary

<u>Data Element</u>	<u>Component Element</u>	<u>Name</u>	<u>Base Attributes</u>			<u>User Attributes</u>
3035		PARTY FUNCTION CODE QUALIFIER	M	1	an..3	M
		Code giving specific meaning to a party.				
		CA Carrier				
		CF Container operator/lessee				
		CZ Consignor				
		DEI Means of transport operator				
		FW Freight forwarder				
		GF Slot charter party				
		MR Message recipient				
		MS Document/message issuer/sender				
		SPC SOLAS verified gross mass responsible party				
		TB Submitter				
		TR Terminal operator				
		WPA Weighting party				
C082		PARTY IDENTIFICATION DETAILS	C	1		R
		Identification of a transaction party by code.				
	3039	Party identifier	M		an..35	M
		Code specifying the identity of a party.				
	1131	Code list identification code	C		an..17	O
		Code identifying a user or association maintained code list.				
		160 Party identification				

	3055	Code list responsible agency code	C	an..3	O
		Code specifying the agency responsible for a code list. Only for compatibility with SMDG proposal. It will not be processed by JUL system. Refer to D.16A Data Element Dictionary for acceptable code values.			
C058		NAME AND ADDRESS	C	1	O
		Unstructured name and address: one to five lines. Only for compatibility with SMDG proposal. It will not be processed by JUL system.			
	3124	Name and address description	M	an..35	M
		Free form description of a name and address line.			
	3124	Name and address description	C	an..35	O
		Free form description of a name and address line.			
	3124	Name and address description	C	an..35	O
		Free form description of a name and address line.			
	3124	Name and address description	C	an..35	O
		Free form description of a name and address line.			
	3124	Name and address description	C	an..35	O
		Free form description of a name and address line.			
C080		PARTY NAME	C	1	O
		Identification of a transaction party by name, one to five lines. Party name may be formatted. Only for compatibility with SMDG proposal. It will not be processed by JUL system.			
	3036	Party name	M	an..70	M
		Name of a party.			
	3036	Party name	C	an..70	O
		Name of a party.			
	3036	Party name	C	an..70	O
		Name of a party.			
	3036	Party name	C	an..70	O
		Name of a party.			
	3036	Party name	C	an..70	O
		Name of a party.			
	3045	Party name format code	C	an..3	O
		Code specifying the representation of a party name. Refer to D.16A Data Element Dictionary for acceptable code values.			
C059		STREET	C	1	O
		Street address and/or PO Box number in a structured address: one to four lines. Only for compatibility with SMDG proposal. It will not be processed by JUL system.			
	3042	Street and number or post office box identifier	M	an..35	M

		To identify a street and number and/or Post Office box number.			
	3042	Street and number or post office box identifier	C	an..35	O
		To identify a street and number and/or Post Office box number.			
	3042	Street and number or post office box identifier	C	an..35	O
		To identify a street and number and/or Post Office box number.			
	3042	Street and number or post office box identifier	C	an..35	O
		To identify a street and number and/or Post Office box number.			
3164		CITY NAME	C	1 an..35	O
		Name of a city.			
		<i>Only for compatibility with SMDG proposal. It will not be processed by JUL system.</i>			
C819		COUNTRY SUBDIVISION DETAILS	C	1	O
		To specify a country subdivision, such as state, canton, county, prefecture.			
		<i>Only for compatibility with SMDG proposal. It will not be processed by JUL system.</i>			
	3229	Country subdivision identifier	C	an..9	O
		To identify a country subdivision, such as state, canton, county, prefecture.			
	1131	Code list identification code	C	an..17	O
		Code identifying a user or association maintained code list.			
	3055	Code list responsible agency code	C	an..3	O
		Code specifying the agency responsible for a code list.			
		Refer to D.16A Data Element Dictionary for acceptable code values.			
	3228	Country subdivision name	C	an..70	O
		Name of a country subdivision, such as state, canton, county, prefecture.			
3251		POSTAL IDENTIFICATION CODE	C	1 an..17	O
		Code specifying the postal zone or address.			
		<i>Only for compatibility with SMDG proposal. It will not be processed by JUL system.</i>			
3207		COUNTRY IDENTIFIER	C	1 an..3	O
		Identification of the name of the country or other geographical entity as defined in ISO 3166-1 and UN/ECE Recommendation 3.			
		<i>Only for compatibility with SMDG proposal. It will not be processed by JUL system.</i>			

Group: **CTA** Segment Group 3: Contact Information
Position: 00090
Group: Segment Group 2 (Name and Address) Conditional (Optional)
Level: 2
Usage: Conditional (Optional)
Max Use: 1
Purpose: A group of segments to identify a contact and its communications related to the party.
Notes: Usage complemented in local document if mentioned in that document.

Segment Summary

	Pos.	Seg.		Req.	Max.	Group:
	<u>No.</u>	<u>ID</u>	<u>Name</u>	<u>Des.</u>	<u>Use</u>	<u>Repeat</u>
M	00100	CTA	Contact Information	M	1	
O	00110	COM	Communication Contact	C	7	

Segment: **CTA Contact Information**
Position: 00100 (Trigger Segment)
Group: Segment Group 3 (Contact Information) Conditional (Optional)
Level: 2
Usage: Mandatory
Max Use: 1
Purpose: A segment to identify a person or a department to whom communication should be directed.

Dependency Notes:**Semantic Notes:****Comments:**

Notes: Example: Message sender contact Mr. Rui Silva.

CTA+MS+:RUI SILVA'

Data Element Summary

<u>Data Element</u>	<u>Component Element</u>	<u>Name</u>	<u>Base Attributes</u>	<u>User Attributes</u>
3139		CONTACT FUNCTION CODE Code specifying the function of a contact (e.g. department or person).	C 1 an..3	R
	BN	Certification contact <i>Only for compatibility with SMDG proposal. It will not be processed by JUL system.</i>		
	CW	Confirmed with <i>Only for compatibility with SMDG proposal. It will not be processed by JUL system.</i>		
	IC	Information contact <i>Only for compatibility with SMDG proposal. It will not be processed by JUL system.</i>		
	MS	Message sender contact		
C056		CONTACT DETAILS Code and/or name of a contact such as a department or employee. Code preferred.	C 1	R
	3413	Contact identifier To identify a contact, such as a department or employee.	C an..17	O
	3412	Contact name Name of a contact, such as a department or employee.	C an..256	R

Segment: **COM** **Communication Contact**
Position: 00110
Group: Segment Group 3 (Contact Information) Conditional (Optional)
Level: 3
Usage: Conditional (Optional)
Max Use: 7
Purpose: A segment to identify communication numbers or email addresses for a person or department to whom communication should be directed.

Dependency Notes:**Semantic Notes:****Comments:**

Notes: Example: Contact by phone number 229390700.

COM+229390700:TE'

Example: Contact by email jose.silva@mybusiness.com

COM+JOSE.SILVA(A)MYBUSINESS.COM:EM'

Data Element Summary

<u>Data Element</u>	<u>Component Element</u>	<u>Name</u>	<u>Base Attributes</u>		<u>User Attributes</u>
C076		COMMUNICATION CONTACT	M	1	M
		Communication number of a department or employee in a specified channel.			
	3148	Communication address identifier	M	an..512	M
		To identify a communication address.			
	3155	Communication means type code	M	an..3	M
		Code specifying the type of communication address.			
		AL Cellular phone			
		AM International telephone direct line			
		EI EDI transmission			
		EM Electronic mail			
		FX Telefax			
		MA Mail			
		TE Telephone			

Group: **EQD** Segment Group 4: Equipment Details
Position: 00120
Group:
Level: 1
Usage: Conditional (Required)
Max Use: 99999
Purpose: A group of segments containing information about an individual piece of transport equipment.
Notes: Usage complemented in local document if mentioned in that document.

Group transmitting VGM information about a transport equipment:

- identification and, optionally, routing information;
- gross mass, status verified or not;
- documentation of VGM, in group 7 (DOC).

Segment Summary

	Pos.	Seg.		Req.	Max.	Group:
	No.	ID	Name	Des.	Use	Repeat
M	00130	EQD	Equipment Details	M	1	
O	00140	RFF	Reference	C	9	
O	00150	LOC	Place/Location Identification	C	9	
D	00160	SEL	Seal Number	C	99	
	00170		Segment Group 5: Measurements	C		2
	00200		Segment Group 6: Transport Information	C		2
	00230		Segment Group 7: Document/Message Details	C		9

Segment:	EQD Equipment Details
Position:	00130 (Trigger Segment)
Group:	Segment Group 4 (Equipment Details) Conditional (Required)
Level:	1
Usage:	Mandatory
Max Use:	1
Purpose:	A segment to identify the transport equipment.
Dependency Notes:	
Semantic Notes:	
Comments:	
Notes:	<p>This segment is to identify the transport equipment, its size/type, its status and if it is full or empty.</p> <p>If the transport equipment is other than an ISO container then DE:8053 shall have the proper value from the EDIFACT code list associated with this element.</p> <p>If the transport equipment is an ISO container then DE:8155 shall have the ISO type according standard ISO 6346. If this code is unknown then place the proper value from EDIFACT code list associated with this element.</p> <p>Example: Container CGTU 200311/5, 20 ft, export/load, full.</p> <p>EQD+CN+CGTU2003115+21:102:6++2+5'</p> <p>Example: Container GSTU 000029/0, 40 ft General purpose (ISO 40GP), transhipped, full</p> <p>EQD+CN+GSTU0000290+40GP:102:5+++6+5'</p> <p>Example: Trailer Z-53791, import/unload, full</p> <p>EQD+TE+Z53791+14:102:6++3+5'</p>

Data Element Summary

<u>Data Element</u>	<u>Component Element Name</u>	<u>Base Attributes</u>	<u>User Attributes</u>
8053	EQUIPMENT TYPE CODE QUALIFIER	M 1 an..3	M
	Code qualifying a type of equipment.		
	BPP	Truck and trailer combination being transported	It will be processed like 'TE'.
	CH	Chassis	It will be processed like 'TE'.
	CN	Container	
	PA	Pallet	
	PL	Platform	
	SW	Swap body	

		It will be treated like 'CN'.		
	TE	Trailer		
C237	EQUIPMENT IDENTIFICATION		C 1	R
	Marks (letters/numbers) identifying equipment.			
8260	Equipment identifier		C an..17	R
	To identify equipment.			
1131	Code list identification code		C an..17	O
	Code identifying a user or association maintained code list.			
	<i>Only for compatibility with SMDG proposal. It will not be processed by JUL system.</i>			
3055	Code list responsible agency code		C an..3	O
	Code specifying the agency responsible for a code list.			
	<i>Only for compatibility with SMDG proposal. It will not be processed by JUL system.</i>			
	Refer to D.16A Data Element Dictionary for acceptable code values.			
3207	Country identifier		C an..3	X
C224	EQUIPMENT SIZE AND TYPE		C 1	O
	Code and or name identifying size and type of equipment. Code preferred.			
	Usage complemented in local document if mentioned in that document.			
8155	Equipment size and type description code		C an..10	O
	Code specifying the size and type of equipment.			
	Usage complemented in local document if mentioned in that document.			
	In case of ISO container equipment (DE:8053 = 'CN') and if its ISO type is known then send the Size/Type information according to ISO 6346 (2nd, 3rd edition and ammendments).			
	Otherwise use UN/EDIFACT code list for Data Element 8155.			
	Refer to D.16A Data Element Dictionary for acceptable code values.			
1131	Code list identification code		C an..17	O
	Code identifying a user or association maintained code list.			
	Usage complemented in local document if mentioned in that document.			
	102	Size and type		
	6346	Size and type coding according to ISO 6346		
	<i>Only for compatibility with SMDG proposal. It will be treated like '102'.</i>			
3055	Code list responsible agency code		C an..3	O
	Code specifying the agency responsible for a code list.			
	Usage complemented in local document if mentioned in that document.			
	5	ISO (International Organization for Standardization)		
	6	UN/ECE (United Nations - Economic Commission for Europe)		
8154	Equipment size and type description		C an..35	O
	Free form description of the size and type of equipment.			

	<i>Only for compatibility with SMDG proposal. It will not be processed by JUL system.</i>			
8077	EQUIPMENT SUPPLIER CODE	C	1 an..3	O
	Code specifying the party that is the supplier of the equipment.			
	<i>Only for compatibility with SMDG proposal. It will not be processed by JUL system.</i>			
	Refer to D.16A Data Element Dictionary for acceptable code values.			
8249	EQUIPMENT STATUS CODE	C	1 an..3	O
	Code specifying the status of equipment.			
	Usage complemented in local document if mentioned in that document.			
	2	Export		
	3	Import		
	6	Transshipment		
8169	FULL OR EMPTY INDICATOR CODE	C	1 an..3	O
	Code indicating whether an object is full or empty.			
	Usage complemented in local document if mentioned in that document.			
	4	Empty		
		<i>Only for compatibility with SMDG proposal. It will not be processed by JUL system.</i>		
	5	Full		
4233	MARKING INSTRUCTIONS CODE	C	1 an..3	X

Segment: **RFF** Reference
Position: 00140
Group: Segment Group 4 (Equipment Details) Conditional (Required)
Level: 2
Usage: Conditional (Optional)
Max Use: 9
Purpose: A segment to specify a reference to the transport equipment.
Dependency Notes:
Semantic Notes:
Comments:

Notes: Usage complemented in local document if mentioned in that document.

Relevant reference number related with VGM data being provided.

Example: Booking number NB/0123/03.

RFF+BN:NB/0123/03'

This reference is intended to relate the transmitted VGM data to message recipient's internal business transactions.

Data Element Summary

<u>Data Element</u>	<u>Component Element</u>	<u>Name</u>	<u>Base Attributes</u>		<u>User Attributes</u>
C506		REFERENCE	M	1	M
		Identification of a reference.			
	1153	Reference code qualifier	M	an..3	M
		Code qualifying a reference.			
		ACD Additional reference number			
		ACE Related document number			
		AOG Source document internal reference			
		AOW Transportation Control Number (TCN)			
		BM Bill of lading number			
		BN Consignment identifier, carrier assigned			
		FF Consignment identifier, freight forwarder assigned			
		SI SID (Shipper's identifying number for shipment)			
		VOR Transport equipment gross mass verification order reference			
	1154	Reference identifier	C	an..70	R
		Identifies a reference.			
	1156	Document line identifier	C	an..6	X
	1056	Version identifier	C	an..9	X
	1060	Revision identifier	C	an..6	X

Segment: **LOC** Place/Location Identification
Position: 00150
Group: Segment Group 4 (Equipment Details) Conditional (Required)
Level: 2
Usage: Conditional (Optional)
Max Use: 9
Purpose: A segment to identify a place or a location related to the transport equipment.
Dependency Notes:
Semantic Notes:
Comments:
Notes: Only for compatibility with SMDG proposal. It will not be processed by JUL system.

Data Element Summary

Data Element	Component Element	Name	Base		User
			Attributes		Attributes
3227		LOCATION FUNCTION CODE QUALIFIER	M	1 an..3	M
		Code identifying the function of a location. Refer to D.16A Data Element Dictionary for acceptable code values.			
C517		LOCATION IDENTIFICATION	C	1	R
		Identification of a location by code or name.			
	3225	Location identifier	C	an..35	O
		To identify a location.			
	1131	Code list identification code	C	an..17	X
	3055	Code list responsible agency code	C	an..3	X
	3224	Location name	C	an..256	O
		Name of the location.			
C519		RELATED LOCATION ONE IDENTIFICATION	C	1	O
		Identification the first related location by code or name.			
	3223	First related location identifier	C	an..35	O
		To identify a first related location.			
	1131	Code list identification code	C	an..17	O
		Code identifying a user or association maintained code list.			
	3055	Code list responsible agency code	C	an..3	O
		Code specifying the agency responsible for a code list. Refer to D.16A Data Element Dictionary for acceptable code values.			
	3222	First related location name	C	an..70	O
		Name of first related location.			
C553		RELATED LOCATION TWO IDENTIFICATION	C	1	X
		Identification of second related location by code or name.			
	3233	Second related location identifier	C	an..35	X

	To identify a second related location.				
1131	Code list identification code	C	an..17	X	
	Code identifying a user or association maintained code list.				
3055	Code list responsible agency code	C	an..3	X	
	Code specifying the agency responsible for a code list.				
3232	Second related location name	C	an..70	X	
	Name of the second related location.				
5479	RELATION CODE	C	1 an..3	X	

Segment: **SEL** Seal Number
Position: 00160
Group: Segment Group 4 (Equipment Details) Conditional (Required)
Level: 2
Usage: Conditional (Dependent)
Max Use: 99
Purpose: A segment to specify a seal number.

Dependency Notes:**Semantic Notes:****Comments:**

Notes: Segment must be used when the transport equipment is full (EQD:8169 = '5').

Example: Carrier seal 6629290

SEL+6629290+CA'

Example: Mechanical seal 591753 in right condition

SEL+591753++1++1'

Data Element Summary

<u>Data Element</u>	<u>Component Element</u>	<u>Name</u>	<u>Base Attributes</u>		<u>User Attributes</u>
9308		TRANSPORT UNIT SEAL IDENTIFIER	C	1 an..35	R
		The identification number of a seal affixed to a transport unit.			
C215		SEAL ISSUER	C	1	O
		Identification of the issuer of a seal on equipment either by code or by name.			
	9303	Sealing party name code	C	an..3	O
		Code specifying the name of the sealing party.			
		Refer to D.16A Data Element Dictionary for acceptable code values.			
	1131	Code list identification code	C	an..17	O
		Code identifying a user or association maintained code list.			
		Only for compatibility with SMDG proposal. It will not be processed by JUL system.			
	3055	Code list responsible agency code	C	an..3	O
		Code specifying the agency responsible for a code list.			
		Only for compatibility with SMDG proposal. It will not be processed by JUL system.			
		Refer to D.16A Data Element Dictionary for acceptable code values.			
	9302	Sealing party name	C	an..35	O
		Name of the sealing party.			
		Only for compatibility with SMDG proposal. It will not be processed by JUL system.			
4517		SEAL CONDITION CODE	C	1 an..3	O

		Code specifying the condition of a seal.			
		Refer to D.16A Data Element Dictionary for acceptable code values.			
C208		IDENTITY NUMBER RANGE	C	1	X
		Goods item identification numbers, start and end of consecutively numbered range.			
	7402	Object identifier	M	an..35	X
		Code specifying the unique identity of an object.			
	7402	Object identifier	C	an..35	X
		Code specifying the unique identity of an object.			
4525		SEAL TYPE CODE	C	1 an..3	O
		To specify a type of seal.			
		Refer to D.16A Data Element Dictionary for acceptable code values.			

Group: **MEA** Segment Group 5: Measurements
Position: 00170
Group: Segment Group 4 (Equipment Details) Conditional (Required)
Level: 2
Usage: Conditional (Required)
Max Use: 2
Purpose: A group of segments to specify the gross mass of transport equipment and date/time when it was determined.
Notes: A group specifying a packed transport equipment's gross mass, whether it is verified or not (yet) and optionally the date/time when it was determined.

Segment Summary

	Pos.	Seg.		Req.	Max.	Group:
	<u>No.</u>	<u>ID</u>	<u>Name</u>	<u>Des.</u>	<u>Use</u>	<u>Repeat</u>
M	00180	MEA	Measurements	M	1	
O	00190	DTM	Date/Time/Period	C	1	

Segment: **MEA** Measurements
Position: 00180 (Trigger Segment)
Group: Segment Group 5 (Measurements) Conditional (Required)
Level: 2
Usage: Mandatory
Max Use: 1
Purpose: A segment to specify the gross mass (gross weight) of the transport equipment and to give the indication of whether the gross mass has been verified, e.g. according to SOLAS regulations.

Dependency Notes:**Semantic Notes:****Comments:**

Notes: Usage complemented in local document if mentioned in that document.

In compliance with the SOLAS Convention, if the Verified Gross Weight is known, then this must be the value to report. Otherwise send an estimated value of the gross mass.

Example: Transport equipment gross weight 31703 kilograms, not verified under SOLAS Convention rules and procedures.

MEA+AAE+AET+KGM:31703'

Example: Transport equipment verified gross weight according to SOLAS Convention rules and procedures is 24023 kilograms.

MEA+AAE+VGM+KGM:24023'

Data Element Summary

Data Element	Component Element Name	Base Attributes	User Attributes
6311	MEASUREMENT PURPOSE CODE QUALIFIER Code qualifying the purpose of the measurement. AAE Measurement	1 an..3	M
C502	MEASUREMENT DETAILS Identification of measurement type. In case the gross mass is not yet determined or its verification status is not known, code AET must be transmitted.	C 1	R
6313	Measured attribute code Code specifying the attribute measured. AET Transport equipment gross weight VGM Transport equipment verified gross mass (weight)	C an..3	R
6321	Measurement significance code	C an..3	X
6155	Non-discrete measurement name code	C an..17	X
6154	Non-discrete measurement name	C an..70	X

C174	VALUE/RANGE	C	1	R
	Measurement value and relevant minimum and maximum values of the measurement range.			
6411	Measurement unit code	C	an..8	R
	Code specifying the unit of measurement.			
	KGM Kilograms			
	LBR Pounds			
6314	Measure	C	an..18	R
	To specify the value of a measurement.			
	In case the gross mass is not yet verified, an estimated value of the gross mass is to be specified.			
6162	Range minimum quantity	C	n..18	X
6152	Range maximum quantity	C	n..18	X
6432	Significant digits quantity	C	n..2	X
7383	SURFACE OR LAYER CODE	C	1 an..3	X

Segment: **DTM** Date/Time/Period
Position: 00190
Group: Segment Group 5 (Measurements) Conditional (Required)
Level: 3
Usage: Conditional (Optional)
Max Use: 1
Purpose: A segment to specify a date and/or time when the gross mass was determined.

Dependency Notes:**Semantic Notes:****Comments:**

Notes: Usage complemented in local document if mentioned in that document.

Optionally to be used if more than one gross mass is to be transmitted. In case of redetermining VGM, transmission of this segment may be used to identify its latest version.

Example: Transport equipment gross mass verification date/time was on 2002/02/01 at 14:21.

DTM+798:200202011421:203'

Data Element Summary

Data Element	Component Element	Name	Base Attributes		User Attributes
C507		DATE/TIME/PERIOD	M	1	M
		Date and/or time, or period relevant to the specified date/time/period type.			
	2005	Date or time or period function code qualifier	M	an..3	M
		Code qualifying the function of a date, time or period.			
		798 Verified gross mass determination date/time			
	2380	Date or time or period text	C	an..35	R
		The value of a date, a date and time, a time or of a period in a specified representation.			
	2379	Date or time or period format code	C	an..3	R
		Code specifying the representation of a date, time or period.			
		102 CCYYMMDD			
		203 CCYYMMDDHHMM			
		205 CCYYMMDDHHMMZHHMM			
		303 CCYYMMDDHHMMZZZ			

Group: **TDT** Segment Group 6: Transport Information
Position: 00200
Group: Segment Group 4 (Equipment Details) Conditional (Required)
Level: 2
Usage: Conditional (Optional)
Max Use: 2
Purpose: A group of segments identifying the means of transport and related details for the transport movement.
Notes: A group transmitting vessel/voyage/vessel call information allowing to relate the transmitted VGM data to message recipient's internal business transactions.

It is used to provide the licence plate of the truck, or an identification of the wagon or train, delivering the transport equipment to the terminal for embarkation. In this case, the RFF segment can provide the means of transport call id.

Segment Summary

	Pos.	Seg.		Req.	Max.	Group:
	<u>No.</u>	<u>ID</u>	<u>Name</u>	<u>Des.</u>	<u>Use</u>	<u>Repeat</u>
M	00210	TDT	Transport Information	M	1	
O	00220	RFF	Reference	C	2	

Segment: **TDT** Transport Information
Position: 00210 (Trigger Segment)
Group: Segment Group 6 (Transport Information) Conditional (Optional)
Level: 2
Usage: Mandatory
Max Use: 1
Purpose: A segment to specify information regarding the transport such as mode of transport, means of transport, its conveyance reference number and the identification of the means of transport.

Dependency Notes:**Semantic Notes:****Comments:**

Notes: Usage complemented in local document if mentioned in that document.

Example: Main carriage transport, maritime, voyage number 0220, shipping company is Maersk, vessel SL PRIDE with IMO 8212661.

TDT+20+0220+1++MAE+++8212661:103:11:SL PRIDE'

Example: Carriage transport by rail, inland, voyage number 3108170615, operated by MEDWAY, identified by CPCARGA, train number A15E9344, portuguese.

TDT+1+3108170615+2++CPCARGA:172::MEDWAY+++A15E9344::::PT'

Data Element Summary

Data Element	Component Element	Name	Base Attributes		User Attributes
8051		TRANSPORT STAGE CODE QUALIFIER	M	1 an..3	M
		Code qualifying a specific stage of transport.			
	1	Inland transport			
		The use of this quaifiers mean that the this occurrence of the group is to identify the inland means of transport that delivered the transport equipment to the terminal.			
	20	Main-carriage transport			
8028		MEANS OF TRANSPORT JOURNEY IDENTIFIER	C	1 an..17	O
		To identify a journey of a means of transport.			
		This reference must be the same indicated at the means of transport notice of arrival.			
C220		MODE OF TRANSPORT	C	1	O
		Method of transport code or name. Code preferred.			
		Usage complemented in local document if mentioned in that document.			
	8067	Transport mode name code	C	an..3	R
		Code specifying the name of a mode of transport.			
		UN Recommendation 19 - Code for Modes of Transport.			
	1	Maritime			

	2	Rail			
	3	Road			
C001	8066	Transport mode name	C	an..17	X
		TRANSPORT MEANS	C 1		O
		Code and/or name identifying the type of means of transport.			
		Only for compatibility with SMDG proposal. It will not be processed by JUL system.			
	8179	Transport means description code	C	an..8	O
		Code specifying the means of transport.			
		Refer to D.16A Data Element Dictionary for acceptable code values.			
	1131	Code list identification code	C	an..17	O
		Code identifying a user or association maintained code list.			
	3055	Code list responsible agency code	C	an..3	O
		Code specifying the agency responsible for a code list.			
		Refer to D.16A Data Element Dictionary for acceptable code values.			
	8178	Transport means description	C	an..17	O
		Free form description of the means of transport.			
C040		CARRIER	C 1		O
		Identification of a carrier by code and/or by name. Code preferred.			
		Usage complemented in local document if mentioned in that document.			
	3127	Carrier identifier	C	an..17	R
		To identify a carrier.			
		Vessel operator's code.			
	1131	Code list identification code	C	an..17	O
		Code identifying a user or association maintained code list.			
		172	Carrier code		
		LINES	SMDG master liner code list		
		Only for compatibility with SMDG proposal. It will not be processed by JUL system.			
	3055	Code list responsible agency code	C	an..3	O
		Code specifying the agency responsible for a code list.			
		Only for compatibility with SMDG proposal. It will not be processed by JUL system.			
		Refer to D.16A Data Element Dictionary for acceptable code values.			
	3126	Carrier name	C	an..35	O
		Name of a carrier.			
8101		TRANSIT DIRECTION INDICATOR CODE	C 1	an..3	X
C401		EXCESS TRANSPORTATION INFORMATION	C 1		X
		To provide details of reason for, and responsibility for, use of transportation other than normally utilized.			
	8457	Excess transportation reason code	M	an..3	X
		Code specifying the reason for excess transportation.			

	8459	Excess transportation responsibility code	M	an..3	X
		Code specifying the responsibility for excess transportation.			
	7130	Customer shipment authorisation identifier	C	an..17	X
		To identify the authorisation to ship issued by the customer.			
C222		TRANSPORT IDENTIFICATION	C	1	O
		Code and/or name identifying the means of transport.			
		Usage complemented in local document if mentioned in that document.			
	8213	Transport means identification name identifier	C	an..35	R
		Identifies the name of the transport means.			
	1131	Code list identification code	C	an..17	O
		Code identifying a user or association maintained code list.			
		103 Call sign directory			
		146 Means of transport identification			
		CALLSIGN Vessel call sign			
		Only for compatibility with SMDG proposal. It will not be processed by JUL system.			
		IMO Vessel IMO number			
		Only for compatibility with SMDG proposal. It will not be processed by JUL system.			
	3055	Code list responsible agency code	C	an..3	X
	8212	Transport means identification name	C	an..70	O
		Name identifying a means of transport.			
	8453	Transport means nationality code	C	an..3	O
		Code specifying the nationality of a means of transport.			
		Flag of Means of Transport (ISO 3166 country code, 2-alpha).			
8281		TRANSPORT MEANS OWNERSHIP INDICATOR CODE	C	1 an..3	X
C003		POWER TYPE	C	1	X
		To specify the type of power.			
	7041	Power type code	C	an..3	X
		Code indicating the type of power.			
	1131	Code list identification code	C	an..17	X
		Code identifying a user or association maintained code list.			
	3055	Code list responsible agency code	C	an..3	X
		Code specifying the agency responsible for a code list.			
	7040	Power type description	C	an..17	X
		Description of the type of power.			

Segment: **RFF** Reference
Position: 00220
Group: Segment Group 6 (Transport Information) Conditional (Optional)
Level: 3
Usage: Conditional (Optional)
Max Use: 2
Purpose: A segment to specify a reference relating to the transport, such as an additional voyage reference number.

Dependency Notes:**Semantic Notes:****Comments:**

Notes: Usage complemented in local document if mentioned in that document.

Although this segment is marked as optional, in the JUL implementation this is the preferred way to identify a visit id (vessel call). The usage is to put this id in DE:1154 associated with qualifier 'ATZ' in 1153. This identification is provided by the JUL system.

Example: Leixões visit id PTLEI118001032.

RFF+ATZ:PTLEI118001032'

Example: Additional voyage number 7199.

RFF+VON:7199'

Data Element Summary

Data Element	Component Element	Name	Base Attributes		User Attributes
C506		REFERENCE	M	1	M
		Identification of a reference.			
	1153	Reference code qualifier	M	an..3	M
		Code qualifying a reference.			
		ATZ Ship's stay reference number			
		VON Voyage number			
	1154	Reference identifier	C	an..70	R
		Identifies a reference.			
	1156	Document line identifier	C	an..6	X
	1056	Version identifier	C	an..9	X
	1060	Revision identifier	C	an..6	X

Group: **DOC** Segment Group 7: Document/Message Details
Position: 00230
Group: Segment Group 4 (Equipment Details) Conditional (Required)
Level: 2
Usage: Conditional (Required)
Max Use: 9
Purpose: A group of segments providing information about documentation related to the gross mass verification.
Notes: Usage complemented in local document if mentioned in that document.
 Group specifying documentation related to SOLAS gross mass verification of a packed container.

Segment Summary

	Pos.	Seg.		Req.	Max.	Group:
	<u>No.</u>	<u>ID</u>	<u>Name</u>	<u>Des.</u>	<u>Use</u>	<u>Repeat</u>
M	00240	DOC	Document/Message Details	M	1	
O	00250	DTM	Date/Time/Period	C	2	
	00260		Segment Group 8: Name and Address	C		9

Segment: **DOC** Document/Message Details
Position: 00240 (Trigger Segment)
Group: Segment Group 7 (Document/Message Details) Conditional (Required)
Level: 2
Usage: Mandatory
Max Use: 1
Purpose: A segment to specify the type and identification of documentation.
Dependency Notes:
Semantic Notes:
Comments:

Notes: Specify type of SOLAS VGM documentation and a unique reference:

- Declaration of the VGM from the responsible party (SOLAS shipper)
- Documentation about determination of VGM according method 1
- Documentation about determination of VGM according method 2
- Reference to VGM documentation

Example: document number QCT000784 with regard to method 2 used to verify gross mass of the transport equipment

DOC+SM2:VGM:306+QCT000784'

Example: document number GGGT0002 with regard to method 1 used to verify gross mass of the transport equipment

DOC+SM1:VGM:306+GGGT0002'

Example: documentation regarding shipper with id PT501999999

DOC+SHP:VGM:306+PT501999999'

Example: reference documentation KJH1607-782

DOC+DRF:VGM:306+KJH1607-782'

Data Element Summary

<u>Data Element</u>	<u>Component Element</u>	<u>Name</u>	<u>Base Attributes</u>		<u>User Attributes</u>
C002		DOCUMENT/MESSAGE NAME	M	1	M
		Identification of a type of document/message by code or name. Code preferred.			
	1001	Document name code	C	an..3	R
		Code specifying the document name.			

DRF - Reference to transport equipment's SOLAS VGM documentation
SHP - Responsibility to provide verified gross mass ("SOLAS shipper") - see (1)
SM1 - Certificate for determination of VGM according to method 1
SM2 - Certificate for determination of VGM according to method 2

Group 8 (NAD) will have the meaning depending on the following relation:

- DRF: NAD group specifies source of documentation
- SHP: NAD group specifies VGM responsible party and authorized person
- SM1 and SM2: NAD group specifies party and optionally further details

(1) Definition of "SOLAS shipper" in IMO-Guidelines MSC.1/Circ.1475, paragraph 2.1.12:

Shipper means a legal entity or person named on the bill of lading or sea waybill or equivalent multimodal transport document (e.g. "through" bill of lading) as shipper and/or who (or in whose name or on whose behalf) contract or carriage has been concluded with a shipping company.

In business practice this may be a "beneficial cargo owner (BCO)" or a "freight forwarder" or a "non vessel operating carrier (NVOCC)".

DRF	Documentation of gross mass verification
SHP	Party responsible for verification of gross mass
SM1	SOLAS verification method 1
SM2	SOLAS verification method 2

1131	Code list identification code	C	an..17	O
	Code identifying a user or association maintained code list.			
	VGM	Verified Gross Mass Information		
3055	Code list responsible agency code	C	an..3	O
	Code specifying the agency responsible for a code list.			
	306	SMDG (Ship-planning Message Design Group)		
1000	Document name	C	an..35	O
	Name of a document.			
	<i>Only for compatibility with SMDG proposal. It will not be processed by JUL system.</i>			
C503	DOCUMENT/MESSAGE DETAILS	C	1	D
	Identification of document/message by number, status, source and/or language.			
	If DE:1001 = 'DRF' then this element is required.			
	Otherwise it is recommended if documentation ID is available.			
1004	Document identifier	C	an..70	R
	To identify a document.			
	Unique identification of documentation.			
	If DE:1001 in {'SM1', 'SM2'} then send the reference of the certificate for ascertainment of VGM according to method 1 or 2.			
	If DE:1001 = 'DRF' then send the reference to weighting equipment certificate (SM1) or method certification (SM2).			
	If DE:1001 = 'SHP' then send the identification of the shipper.			

1373	Document status code	C	an..3	O
	Code specifying the status of a document. Only for compatibility with SMDG proposal. It will not be processed by JUL system. Refer to D.16A Data Element Dictionary for acceptable code values.			
1366	Document source description	C	an..70	O
	Free form description of the source of a document. Only for compatibility with SMDG proposal. It will not be processed by JUL system.			
3453	Language name code	C	an..3	O
	Code specifying the language name. Only for compatibility with SMDG proposal. It will not be processed by JUL system.			
1056	Version identifier	C	an..9	O
	To identify a version. Only for compatibility with SMDG proposal. It will not be processed by JUL system.			
1060	Revision identifier	C	an..6	O
	To identify a revision. Only for compatibility with SMDG proposal. It will not be processed by JUL system.			
3153	COMMUNICATION MEDIUM TYPE CODE	C	1 an..3	X
1220	DOCUMENT COPIES REQUIRED QUANTITY	C	1 n..2	X
1218	DOCUMENT ORIGINALS REQUIRED QUANTITY	C	1 n..2	X

Segment: **DTM** Date/Time/Period
Position: 00250
Group: Segment Group 7 (Document/Message Details) Conditional (Required)
Level: 3
Usage: Conditional (Optional)
Max Use: 2
Purpose: A segment to specify a date and/or time related to the documentation.

Dependency Notes:**Semantic Notes:****Comments:**

Notes: Usage complemented in local document if mentioned in that document.

This segment is to report the date/time when the Verified Gross Mass reported in the current document was determined, or the date/time when the document/certificate was issued.

Example: Document issue date/timel was 2018/10/31 14:35

DTM+137:201810311435:203'

Data Element Summary

<u>Data Element</u>	<u>Component Element</u>	<u>Name</u>	<u>Base Attributes</u>		<u>User Attributes</u>
C507		DATE/TIME/PERIOD	M	1	M
		Date and/or time, or period relevant to the specified date/time/period type.			
	2005	Date or time or period function code qualifier	M	an..3	M
		Code qualifying the function of a date, time or period.			
		137 Document issue date time			
		798 Verified gross mass determination date/time			
	2380	Date or time or period text	C	an..35	R
		The value of a date, a date and time, a time or of a period in a specified representation.			
	2379	Date or time or period format code	C	an..3	R
		Code specifying the representation of a date, time or period.			
		102 CCYYMMDD			
		203 CCYYMMDDHHMM			
		205 CCYYMMDDHHMMZHHMM			
		303 CCYYMMDDHHMMZZZ			

Group: **NAD** Segment Group 8: Name and Address
Position: 00260
Group: Segment Group 7 (Document/Message Details) Conditional (Required)
Level: 3
Usage: Conditional (Optional)
Max Use: 9
Purpose: A group of segments to qualify and specify name and address information related to the documentation.
Notes: Usage complemented in local document if mentioned in that document.

This group is to provide information on the following parties:

- a) party responsible of SOLAS verified gross declaration (SOLAS' shipper);
- b) person authorized to sign VGM documents;
- c) weighing party for the method specified in DOC segment;
- d) party to be referred to for inquiry of a document;
- e) party which had ordered weighing at terminal or weighing station.

Segment Summary

	Pos.	Seg.		Req.	Max.	Group:
	No.	ID	Name	Des.	Use	Repeat
M	00270	NAD	Name and Address	M	1	
	00280		Segment Group 9: Contact Information	C		9

Segment: **NAD** Name and Address
Position: 00270 (Trigger Segment)
Group: Segment Group 8 (Name and Address) Conditional (Optional)
Level: 3
Usage: Mandatory
Max Use: 1
Purpose: A segment to specify the function and name/address of an organization or individual.

Dependency Notes:**Semantic Notes:****Comments:****Notes:**

Name/address data transmitted in this segment depend on function code.

If DE:3035 = 'SPC' then data refers the company responsible to verify gross mass according to SOLAS regulations. It must be sent always.

If DE:3035 = 'AM' then data refers the person (individual) authorized to sign a document. Dependent on the business case, this person does not necessarily belong to the company specified by 'SPC'. It must be sent always.

If DE:3035 = 'WPA' then data is on the company which actually has determined VGM. It must be sent always.

If DE:3035 = 'WC' then the data is about the company holding documentation according SOLAS VGM regulations.

If DE:3035 = 'OB' then data is about the party which ordered weighing at terminal or weighing station.

Example: Authorised person signing for verified gross mass is Julio Silvestre.

NAD+AM+++JULIO SILVESTRE'

Example: Party responsible for determination of VGM (in SOLAS named "shipper of packed container") is PT501999999, JS IMPORT/EXPORT

NAD+SPC+PT501999999+JS IMPORT/EXPORT'

Data Element Summary

Data Element	Component Element	Name	Base Attributes	User Attributes
3035		PARTY FUNCTION CODE QUALIFIER	M 1 an..3	M
		Code giving specific meaning to a party.		
		AM Authorized official		
		CA Carrier		
		CZ Consignor		

	FW	Freight forwarder			
	OB	Ordered by			
	SPC	SOLAS verified gross mass responsible party			
		Required.			
	WC	Information reference agency			
	WPA	Weighting party			
		Required.			
C082	PARTY IDENTIFICATION DETAILS		C	1	O
	Identification of a transaction party by code.				
3039	Party identifier		M	an..35	M
	Code specifying the identity of a party.				
	Number corresponding to EORI of the entity, or another code mutually agreed between the parties.				
1131	Code list identification code		C	an..17	O
	Code identifying a user or association maintained code list.				
	160	Party identification			
	EORI	EORI number			
		<i>Only for compatibility with SMDG proposal. It will not be processed by JUL system.</i>			
	INTTRA	INTTRA identification			
		<i>Only for compatibility with SMDG proposal. It will not be processed by JUL system.</i>			
	TAX	Tax identification			
		<i>Only for compatibility with SMDG proposal. It will not be processed by JUL system.</i>			
3055	Code list responsible agency code		C	an..3	O
	Code specifying the agency responsible for a code list.				
	<i>Only for compatibility with SMDG proposal. It will not be processed by JUL system.</i>				
	Refer to D.16A Data Element Dictionary for acceptable code values.				
C058	NAME AND ADDRESS		C	1	O
	Unstructured name and address: one to five lines.				
	<i>Only for compatibility with SMDG proposal. It will not be processed by JUL system.</i>				
3124	Name and address description		M	an..35	M
	Free form description of a name and address line.				
3124	Name and address description		C	an..35	O
	Free form description of a name and address line.				
3124	Name and address description		C	an..35	O
	Free form description of a name and address line.				
3124	Name and address description		C	an..35	O
	Free form description of a name and address line.				
3124	Name and address description		C	an..35	O

		Free form description of a name and address line.			
C080	PARTY NAME		C	1	O
		Identification of a transaction party by name, one to five lines. Party name may be formatted.			
3036	Party name		M	an..70	M
		Name of a party.			
		If DE:3035 = 'AM' then this element shall contain the name in capitals of the person authorised to sign the shipping document declaring a verified gross mass (weight).			
		If DE:3035 in {'SPC', 'WPA'} then this element shall contain the company name.			
3036	Party name		C	an..70	O
		Name of a party.			
3036	Party name		C	an..70	O
		Name of a party.			
3036	Party name		C	an..70	O
		Name of a party.			
3036	Party name		C	an..70	O
		Name of a party.			
3045	Party name format code		C	an..3	O
		Code specifying the representation of a party name.			
		Refer to D.16A Data Element Dictionary for acceptable code values.			
C059	STREET		C	1	O
		Street address and/or PO Box number in a structured address: one to four lines.			
		To send if DE:3035 in {'SPC', 'WPA'}.			
3042	Street and number or post office box identifier		M	an..35	M
		To identify a street and number and/or Post Office box number.			
3042	Street and number or post office box identifier		C	an..35	O
		To identify a street and number and/or Post Office box number.			
3042	Street and number or post office box identifier		C	an..35	O
		To identify a street and number and/or Post Office box number.			
3042	Street and number or post office box identifier		C	an..35	O
		To identify a street and number and/or Post Office box number.			
3164	CITY NAME		C	1 an..35	O
		Name of a city.			
		To send if DE:3035 in {'SPC', 'WPA'}.			
C819	COUNTRY SUBDIVISION DETAILS		C	1	O
		To specify a country subdivision, such as state, canton, county, prefecture.			
		Only for compatibility with SMDG proposal. It will not be processed by JUL system.			
3229	Country subdivision identifier		C	an..9	O
		To identify a country subdivision, such as state, canton, county, prefecture.			

1131	Code list identification code	C	an..17	O
	Code identifying a user or association maintained code list.			
3055	Code list responsible agency code	C	an..3	O
	Code specifying the agency responsible for a code list. Refer to D.16A Data Element Dictionary for acceptable code values.			
3228	Country subdivision name	C	an..70	O
	Name of a country subdivision, such as state, canton, county, prefecture.			
3251	POSTAL IDENTIFICATION CODE	C	1 an..17	O
	Code specifying the postal zone or address. To send if DE:3035 in {'SPC', 'WPA'}.			
3207	COUNTRY IDENTIFIER	C	1 an..3	O
	Identification of the name of the country or other geographical entity as defined in ISO 3166-1 and UN/ECE Recommendation 3. To send if DE:3035 in {'SPC', 'WPA'}. ISO 3166 Country Code, 2 alpha. In some business cases it might be required to specify the country under whose legislation the determination of verified gross mass has taken place.			

Group: **CTA** Segment Group 9: Contact Information
Position: 00280
Group: Segment Group 8 (Name and Address) Conditional (Optional)
Level: 4
Usage: Conditional (Optional)
Max Use: 9
Purpose: A group of segments to specify a contact and related communication information.
Notes: Only for compatibility with SMDG proposal. It will not be processed by JUL system.

Segment Summary

	Pos.	Seg.		Req.	Max.	Group:
	<u>No.</u>	<u>ID</u>	<u>Name</u>	<u>Des.</u>	<u>Use</u>	<u>Repeat</u>
M	00290	CTA	Contact Information	M	1	
O	00300	COM	Communication Contact	C	9	

Segment: **CTA Contact Information**
Position: 00290 (Trigger Segment)
Group: Segment Group 9 (Contact Information) Conditional (Optional)
Level: 4
Usage: Mandatory
Max Use: 1
Purpose: A segment to specify the function and details of a contact person or department.
Dependency Notes:
Semantic Notes:
Comments:
Notes: Only for compatibility with SMDG proposal. It will not be processed by JUL system.

Data Element Summary

<u>Data Element</u>	<u>Component Element</u>	<u>Name</u>	<u>Base Attributes</u>		<u>User</u>	
					<u>Attributes</u>	
3139		CONTACT FUNCTION CODE	C	1	an..3	O
		Code specifying the function of a contact (e.g. department or person). Refer to D.16A Data Element Dictionary for acceptable code values.				
C056		CONTACT DETAILS	C	1		O
		Code and/or name of a contact such as a department or employee. Code preferred.				
	3413	Contact identifier	C		an..17	O
		To identify a contact, such as a department or employee.				
	3412	Contact name	C		an..256	O
		Name of a contact, such as a department or employee.				

Segment: **COM** **Communication Contact**
Position: 00300
Group: Segment Group 9 (Contact Information) Conditional (Optional)
Level: 5
Usage: Conditional (Optional)
Max Use: 9
Purpose: A segment to identify communication numbers or email addresses for a person or department to whom a communication should be directed.

Dependency Notes:**Semantic Notes:****Comments:**

Notes: Only for compatibility with SMDG proposal. It will not be processed by JUL system.

Data Element Summary

Data Element	Component Element	Name	Base Attributes		User Attributes
C076		COMMUNICATION CONTACT	M	3	M
		Communication number of a department or employee in a specified channel.			
	3148	Communication address identifier	M	an..512	M
		To identify a communication address.			
	3155	Communication means type code	M	an..3	M
		Code specifying the type of communication address.			
		Refer to D.16A Data Element Dictionary for acceptable code values.			

Segment: **UNT** Message Trailer
Position: 00310
Group:
Level: 0
Usage: Mandatory
Max Use: 1
Purpose: A service segment ending a message, giving the total number of segments in the message (including the UNH & UNT) and the control reference number of the message.

Dependency Notes:**Semantic Notes:****Comments:****Notes:** Example: 26 sent segments, message envelope reference "1357924680"

UNT+26+1357924680'

Data Element Summary

Data Element	Component Element	Name	Base Attributes			User Attributes
0074		NUMBER OF SEGMENTS IN A MESSAGE	M	1	n..6	M
		Control count of number of segments in a message.				
0062		MESSAGE REFERENCE NUMBER	M	1	an..14	M
		Unique message reference assigned by the sender.				